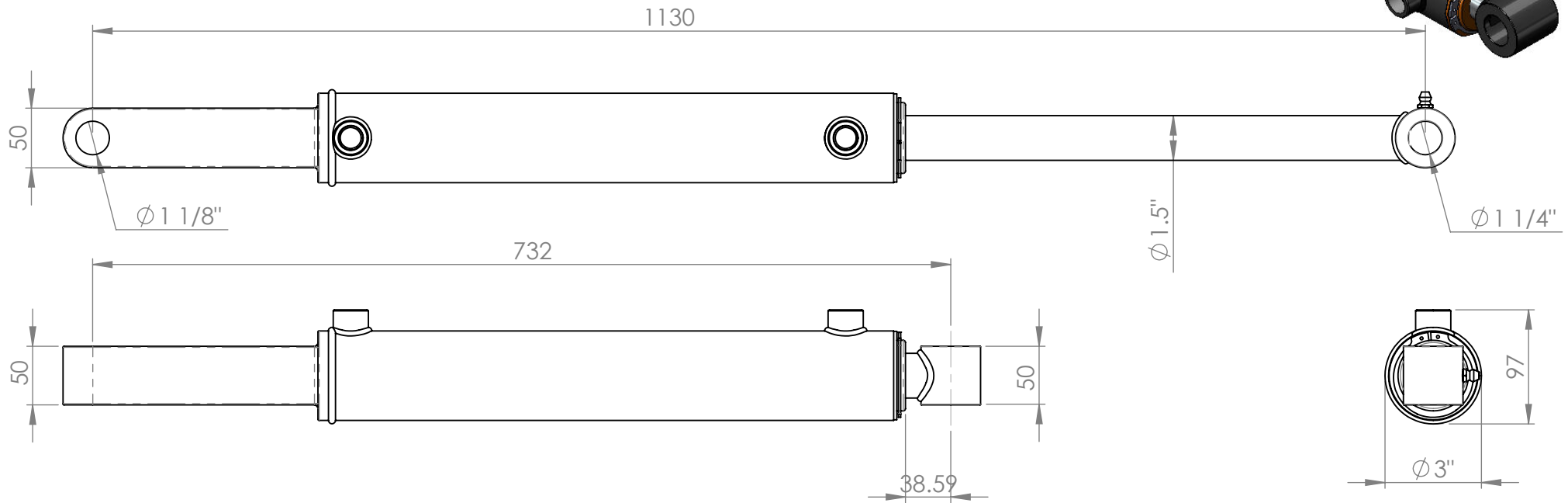
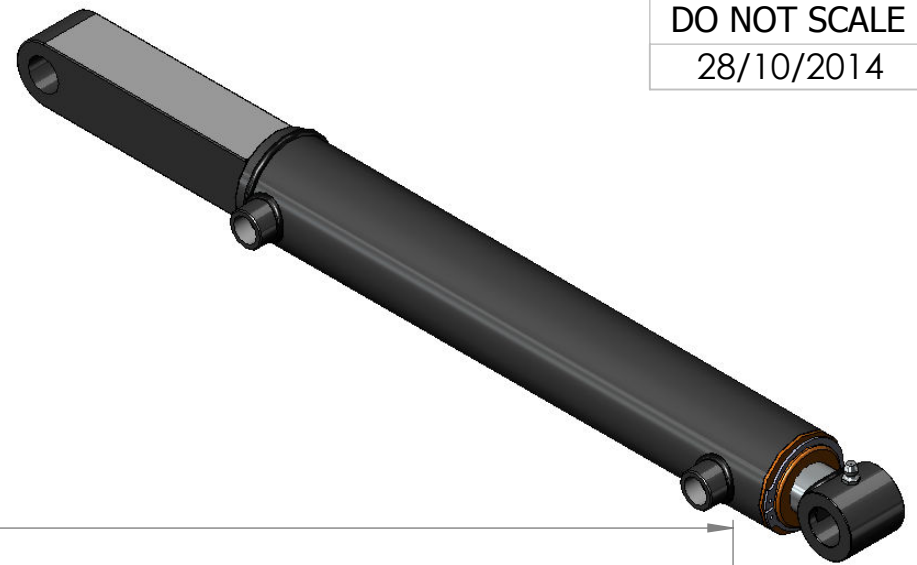


DO NOT SCALE

28/10/2014



The information contained in this drawing is proprietary to MOTUS and shall not be reproduced or disclosed in whole or in part or used for any design or manufacture except when such user possesses direct written authorisation from MOTUS

Ram Phone: 0800 66 88 74
 Phone: +64 6 879 8590
 sales@motushydraulics.co.nz
 www.motushydraulics.co.nz

DESCRIPTION	PC10		
SEAL KIT No:	SK250150		
FORCE EXTENSION	3140kg @ 2250psi	FORCE RETRACT	1370kg @2250psi
STROKE	400mm	PORTS	1/2"FM BSPP
CLOSED CENTRES	730mm	BASE MOUNT	50mm SQUARE TOUNGE
OPEN CENTRES	1130mm	SHAFT MOUNT	6618