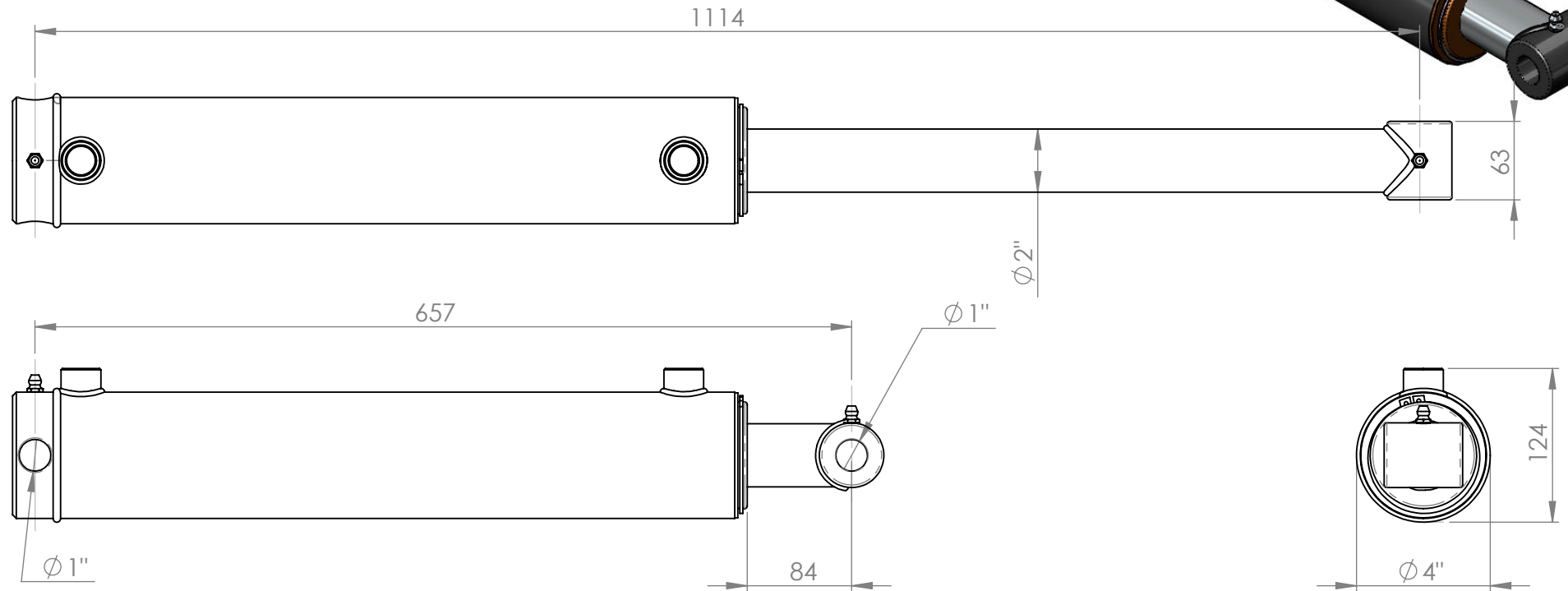
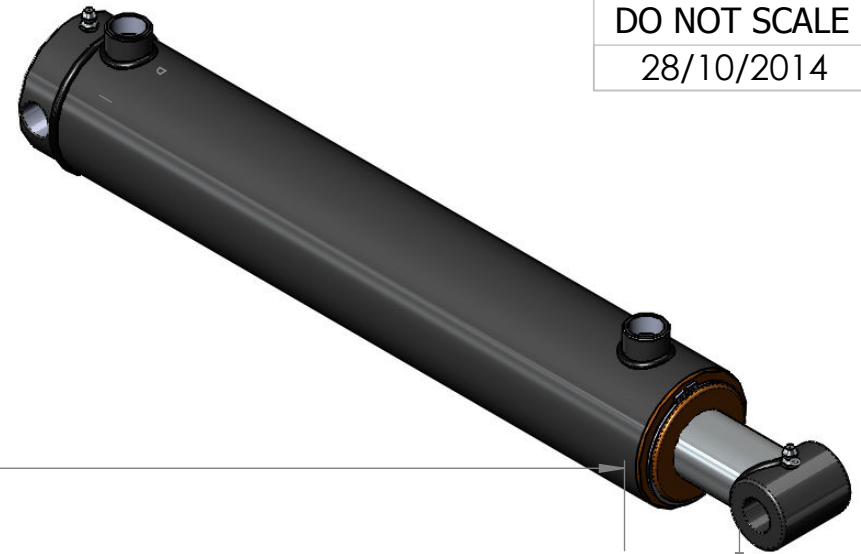


DO NOT SCALE  
28/10/2014



The information contained in this drawing is proprietary to MOTUS and shall not be reproduced or disclosed in whole or in part or used for any design or manufacture except when such user possesses direct written authorisation from MOTUS

Ram Phone: 0800 66 88 74  
Phone: +64 6 879 8590  
sales@motushydraulics.co.nz  
www.motushydraulics.co.nz

DESCRIPTION	PC30	FORCE RETRACT	9420kg @ 2250psi
SEAL KIT No:	SK350200	PORTS	3/4"FMBSPP
FORCE EXTENSION	12560kg @ 2250psi	BASE MOUNT	6525-1
STROKE	457mm	SHAFT MOUNT	6590-1
CLOSED CENTRES	657mm		
OPEN CENTRES	1114mm		