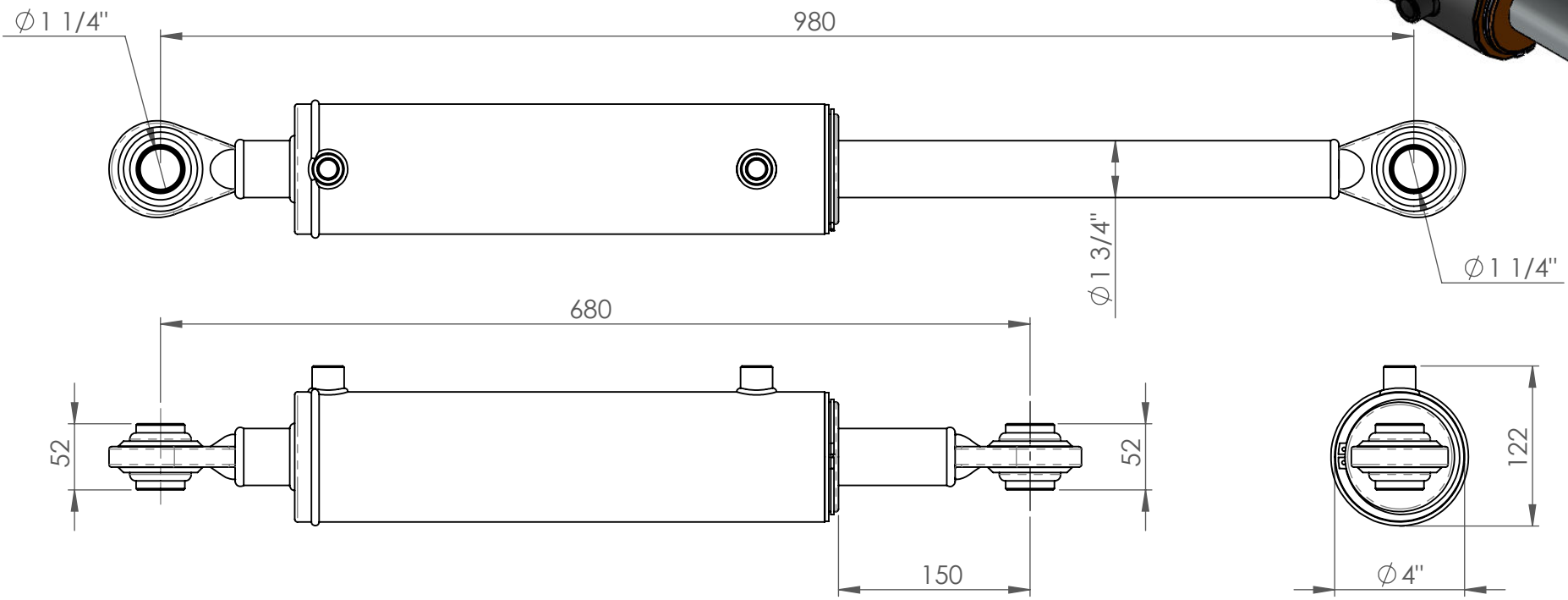
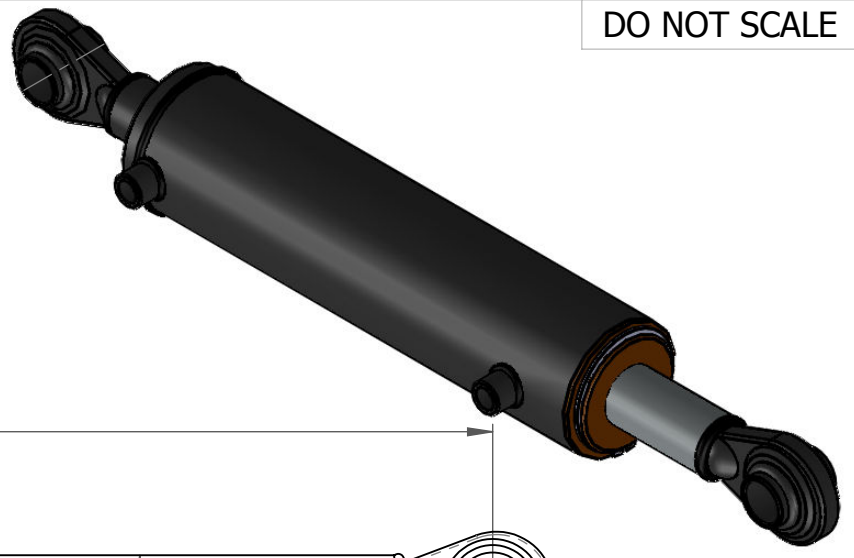


DO NOT SCALE



The information contained in this drawing is proprietary to MOTUS and shall not be reproduced or disclosed in whole or in part or used for any design or manufacture except when such user possesses direct written authorisation from MOTUS

Ram Phone: 0800 66 88 74  
 Phone: +64 6 879 8590  
 sales@motushydraulics.co.nz  
 www.motushydraulics.co.nz

DESCRIPTION	TL-E		
SEAL KIT No:	SK3500175		
FORCE EXTENSION	9620kg @ 2250psi	FORCE RETRACT	7210kg @ 2250psi
STROKE	300mm	PORTS	3/8" FM BSPP
CLOSED CENTRES	680mm	BASE MOUNT	1 1/4" BALL END (CAT 3)
OPEN CENTRES	980mm	SHAFT MOUNT	1 1/4" BALL END (CAT 3)